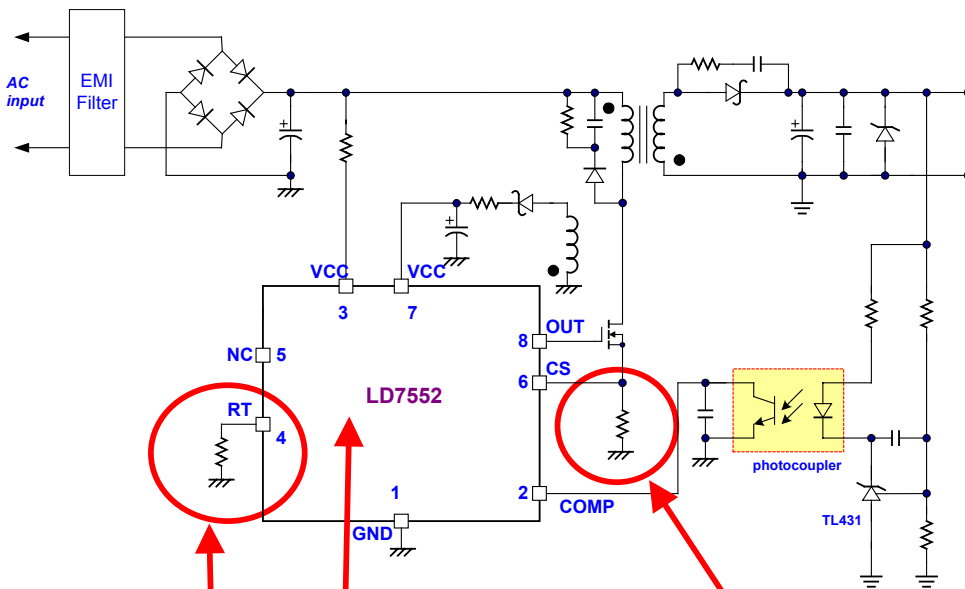
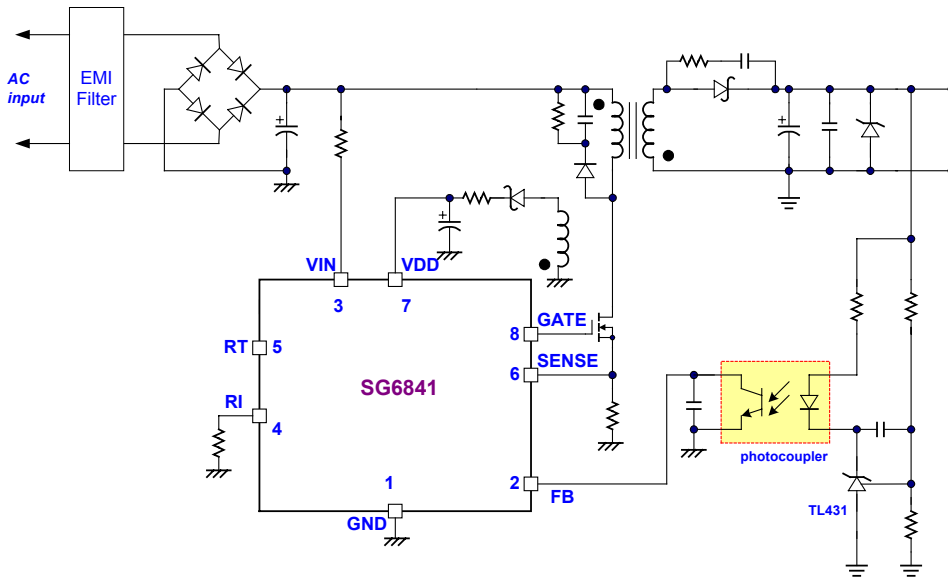


How to replace SG6841 by using LD7552 ?



Step 1: change SG6841 to LD7552

Step 2: Change frequency-setting R

Example: 26K(SG6841) → 100K(LD7552)

Step 3: Change current-sense resistor